




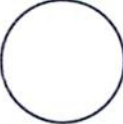

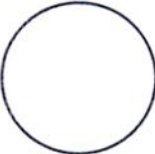

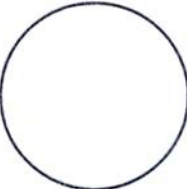
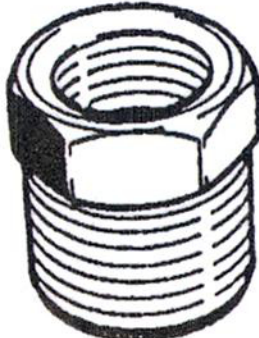
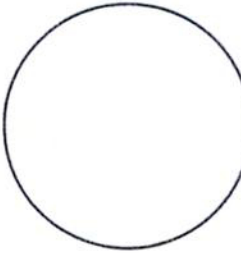


Thread Sight Gauge

(Suitable for BSP and NPT)

1/8"		BSP 28TPI NPT 27TPI	
1/4"		BSP 19TPI NPT 18TPI	
3/8"		BSP 19TPI NPT 18TPI	
1/2"		BSP 14TPI NPT 14TPI	
3/4"		BSP 14TPI NPT 14TPI	
1"		BSP 11TPI NPT 11-1/2TPI	

Please note when printing Thread Sight Gauge to set the percentage to 100% to allow for accurate measurements.